

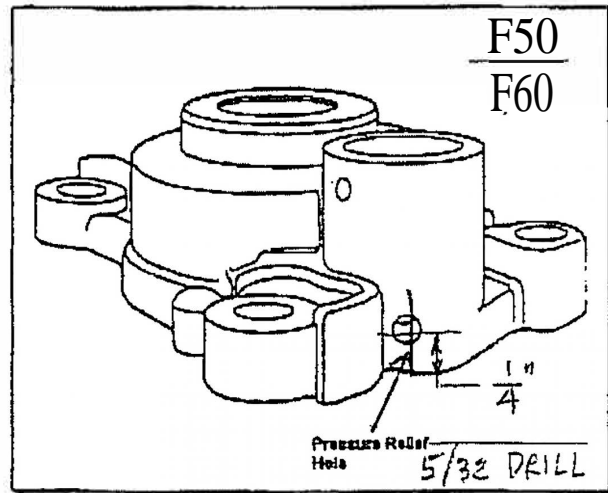
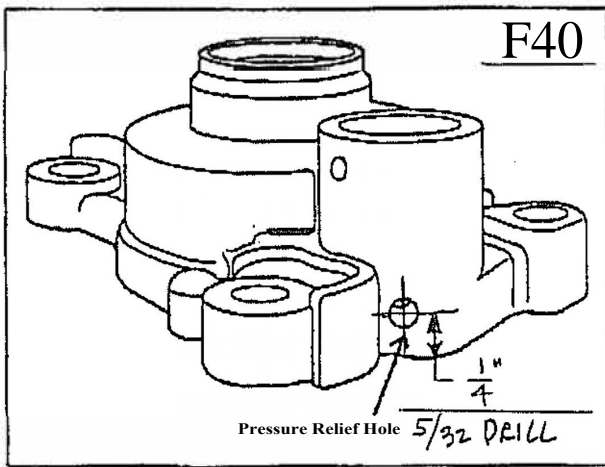
CAUTION

YAMAHA 4 STROKE OUTBOARD JET DRIVES MODELS F40, F50, F60, F80, F115

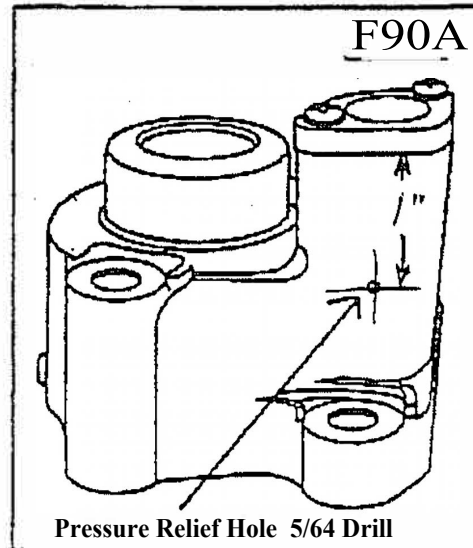
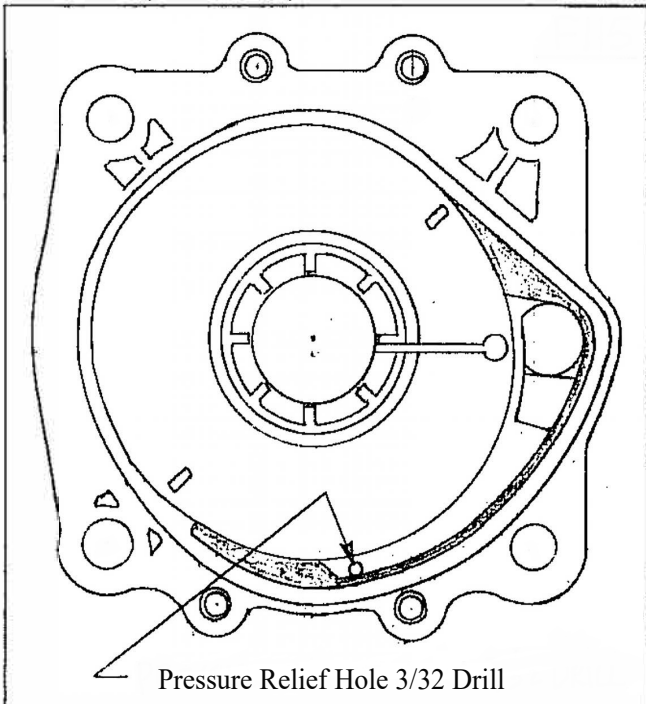
In order to prevent these motors from running too cold it is necessary to modify the water pump by drilling a bleed hole to reduce the cooling system water pressure.

Diagrams below show where to drill the bleed hole and what size drill to use.

The modified water pump **cannot** later be used on the propeller drive. If you plan to switch back and forth between propeller and jet drive, purchase a standard water pump assembly from Yamaha and leave it installed on the propeller drive.



F115A, F115B, F90B



Specialty Manufacturing Co.
Outboard Jets
2035 Edison Avenue
San Leandro, CA 94577