

MODEL AQ, AQSHO SERIES
ASSEMBLY INSTRUCTIONS
YAMAHA 200-250 HP, V6, 2 STROKE, 3.1 L
200-250 HP, V6, 4 STROKE, 4.2 L

1. Place the engine on the transom of your boat so that it is mounted vertically, in the normal fashion. Remove the bolts holding the gearbox to the exhaust housing and remove gearbox assembly.
2. Remove the water pump assembly from the propeller drive, including the lower stainless steel plate, dowel pins, and impeller drive key.
3. Install the jet driveshaft assembly into the spiral pump housing locking it in place with the four 5/16-18 x 1 bolts with lock washers. Use grease on the threads. Tighten to 15 ft-lbs.
4. Install the water pump assembly on top of the 3/4 inch thick aluminum adapter and stainless steel plate. The stainless steel plate design was changed recently. The front extends beyond the pump housing and interferes with the adapter plate. Cut off the section that extends beyond the pump housing. Be sure also to install the water pump impeller drive key removed from the propeller drive. Lock in place using four 5/16-18 x 2-1/2 bolts and lockwashers. Grease the threads. Tighten to 10 ft-lbs. **The tapered thrust ring assembly above the water pump on the propeller drive is not used on the jet drive.**
5. The large 3/4 inch adapter plate is attached to the exhaust housing to hold the jet drive. A 1/4 x 2 inch plastic shift rod guide in the front of the plate guides the disconnected shift rod. Two 8 x 12MM dowels locate the plate, seven M10 x 34MM bolts with lock washers secure it. Grease the bolt threads and the end of the pin where it slides in the shift rod. Tighten to 22 ft-lbs.
6. Next, attach the jet drive to the motor. Two 3/16 x 1/2 dowel pins center the jet drive on the adapter plate. Four 3/8-16 bolts from below and one 3/8-16 x 1-1/2 bolt from above rear with lockwashers are used. Select the lower bolt lengths to suit the different counter bore depths so that all bolts enter the adapter plate the same depth. The upper rear bolt is reached through the trim tab opening in the motor exhaust housing.

Grease the bolt threads, driveshaft spline generously, and rubber water tube pilot and guide the jet into place. Tighten to 22 ft-lbs.

7. Next, install the impeller. Grease the shaft threads, key and impeller bore. Place the plastic sleeve inside the impeller, hold the key in the nose of the impeller with your forefinger and slide onto the driveshaft. Install the eight shim washers, and nut retainer on the shaft, up against the impeller, and bring the nut up snug by hand. Be careful that the retainer does not fall into the thread groove and jam the nut.

Then bump the nut up snug with a wrench. If the ears of the retainer do not line up with the flats on the nut, spin the nut off, turn the retainer over and tighten the nut again. In one of these two positions you will have alignment and can fold the ears up against the nut to retain it. The flat in the retainer is angled to the ears to allow this.

When, after use in sand and gravel, the blade clearance becomes more than about 1/32 inch between the impeller edge and the water intake liner, one or more of the stainless shim washers can be transferred from the bottom stack to the top of the impeller, which moves the impeller down into the tapered casing to reduce the clearance.

Shims should not be used above the impeller on new installations, where no wear has occurred, unless the blade clearance exceeds 1/32 inch. Insufficient blade clearance will do more harm than good from any performance gains it might provide.

8. Place the intake casing in position with the lower end at the rear and tighten the six nuts. No lockwashers are used. Grease the threads.
9. Attach the shift cable and cable anchor bracket to the jet drive.

MODEL AQ, AQSHO SERIES
ASSEMBLY INSTRUCTIONS
YAMAHA 200-250 HP, V6, 2 STROKE, 3.1 L
200-250 HP, V6, 4 STROKE, 4.2 L

10. With the shift handle in forward and the reverse gate in forward, with the cam roller at the end of the slot, adjust the cable and/or cable anchor position to this condition. Shift to reverse and back to forward. The roller should be at the end of the cam slot such that the gate cannot be forcibly rotated toward reverse. Pull on the gate by hand to verify this.

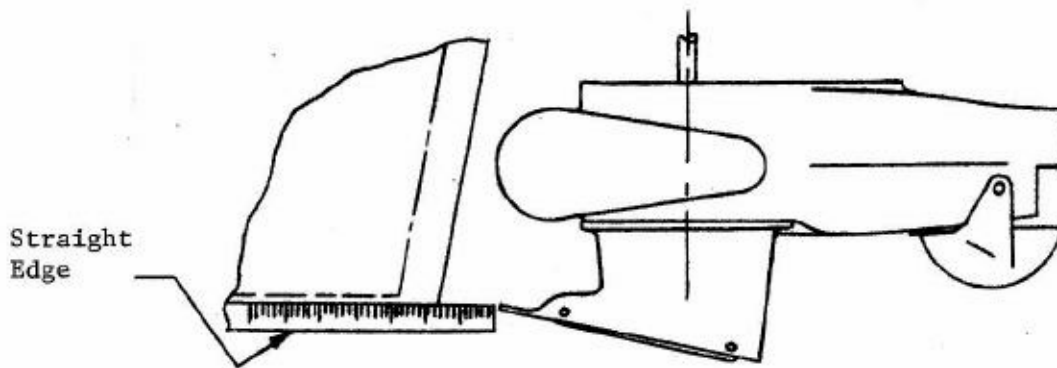
If this forward lock condition is not met, readjust the cable positions.

11. When converting to jet drive, your motor will have to be raised to the height shown in the diagram pg. 3, using a straight edge under the boat. Test run the boat and then raise or lower the motor 5/16 inch at a time to obtain best results.

The motor has three sets of upper mounting holes. You will use one set to begin with. Mark pencil lines on the boat transom through the other sets. Then if you wish to go up or down 5/16 inch, you can drill one alternate set of holes 5/16 inch up or down from the pencil marks. By alternating between these two sets of transom holes and the three sets of motor holes, the motor can be moved in 5/16 inch increments over almost one inch. The transom height should be about 26 inches measured vertically from the boat bottom.

If you raise it too much it will suck air and cavitate, either on start up or when banking on turns. When cavitating, the motor overspeeds in spurts and shakes considerably in the motor mount. This is not a normal condition and should be avoided by proper adjustment of motor height on each individual boat. If you lower it too much you will have excessive drag, therefore mount the motor as high as possible without allowing cavitation.

SETTING MOTOR HEIGHT



CAUTION

When starting the engine for the first time, watch to see that the cooling water comes out of the small hole at the rear side of the engine just below the power head. This is to check your assembly of the cooling water pump and its connections.

MODEL AQ, AQSHO SERIES
ASSEMBLY INSTRUCTIONS
YAMAHA 200-250 HP, V6, 2 STROKE, 3.1 L
200-250 HP, V6, 4 STROKE, 4.2 L

MAINTENANCE AND LUBRICATION

See last page.

CAUTION

V4 and V6 Drives

It is important on high HP installations to mount the motor at the correct height and to use the power tilt properly.

Power tilt is convenient for drifting and when operating at low throttle in very shallow area. When under power however, the engine should not be tilted out in an effort to gain speed as is done with propellers.

The engine driveshaft should be vertical when planing or tilted toward the boat in order to provide a scooping angle on the water intake grill. Tilting the motor out beyond a vertical position reduces the scoop angle and can cause impeller slippage and cavitation burns on the impeller blades.

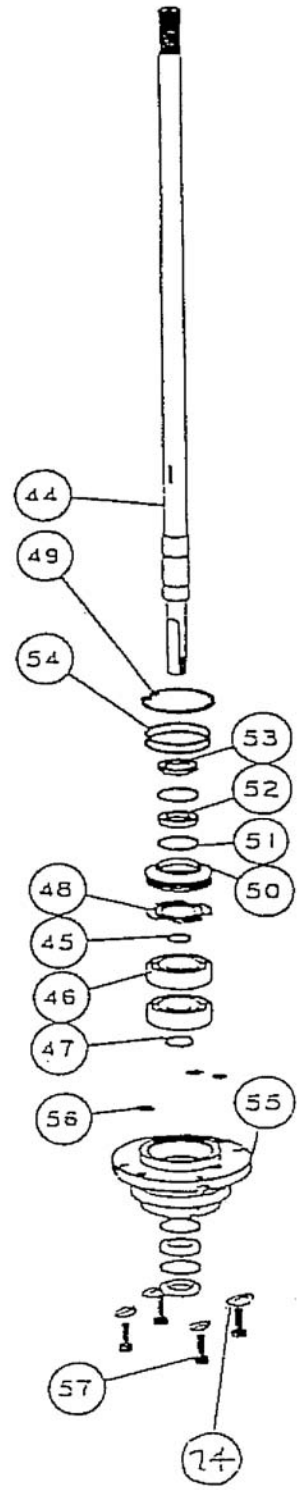
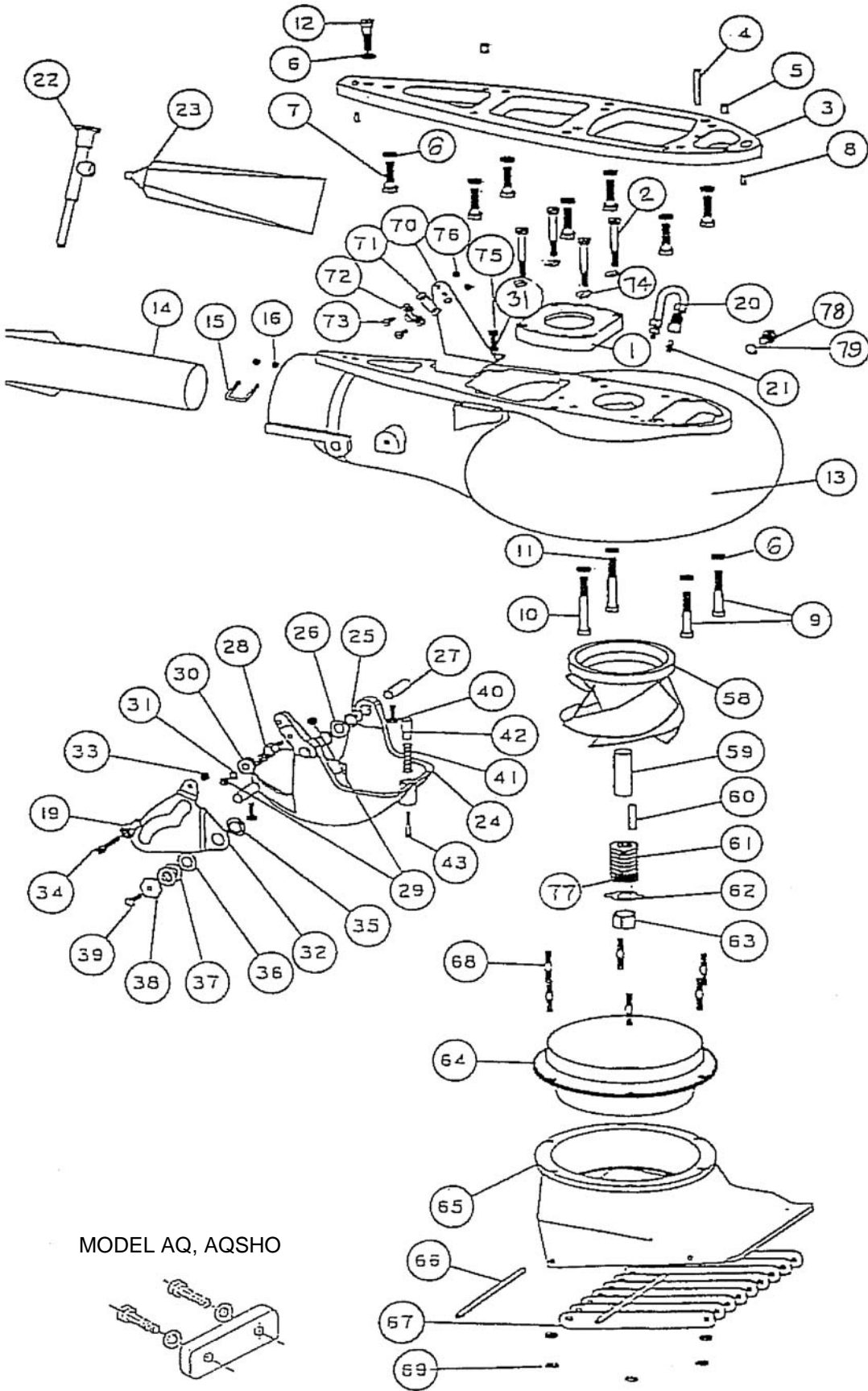
When running in a bay, lake or wide river in windy conditions, particularly when running with the wind the jet can suck in air when jumping across the wave crests. This will result in overspeeding and causes severe strain on the driveshaft when the engine is suddenly brought back to normal speed as the impeller once again grabs solid water.

If your boat is used frequently under these conditions, the engine height should be set lower than normal to minimize overspeeding. Running at reduced throttle will help when winds are strong. You can also experiment with a plate extending from the hull bottom to the top of the leading edge of the water intake as shown in paragraph 7 of the owner's manual. This tends to reduce air intake as well as to reduce spray.

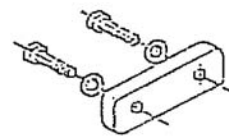
A water intake fin kit, part # 1726 will soon be available. The purpose of these fins is to ram more water into the intake and to shield the forward sides of the intake from the entrance of air. There is a noticeable reduction of engine overspeeding when running with the wind on a heavy chop. To a lesser degree, the fins provide some rudder effect when operating at low speeds. This is not a cure all for cavitation and it is still necessary to set the engine height and angle properly and to minimize obstructions or imperfections in the hull ahead of the intake.

GOOD BOATING AND HAVE FUN!

Specialty Manufacturing Company
Outboard Jets
2035 Edison Avenue
San Leandro, CA 94577



MODEL AQ, AQSHO



ANODE KIT 1693

MODEL AQ AND AQ SHO YAMAHA
AQ V6 2 STROKE AND V6 4 STROKE 3.1 L
AQ SHO V6 4 STROKE 4.2 L

REF	QTY	PART NO.	DESCRIPTION	REF	QTY	PART NO.	DESCRIPTION
1	1	938	PUMP ADAPTER AA	51	4	517	SPIROLOX RR-150S
2	4	603	BOLT HEX HD 5/16-18 X 2 1/2	52	2	506	SEAL INNER
3	1	1611	ADAPTER PLATE AQ	53	2	507	SEAL OUTER 6324-S
4	1	943	SHIFT ROD GUIDE AA-ROD	54	2	527	O RING 568-141 3/32X2 5/16X2 1/2
5	2	615	DOWEL PIN 8 X 12M	55	1	393.5	BEARING CARRIER W/SEALS & O RINGS 5/16
6	12	636	WASHER SPRING LOCK M10	56	3	521	O RING 568-011 1/16X5/16X7/16
7	7	592	BOLT HEX HD M10-1.25 X 35MM	57	4	602.1	BOLT HEX HD 5/16-18 X 1 PATCH
8	2	631	DOWEL PIN 3/16 X 1/2	58	1	1721	IMPELLER 7 5/8 STAINLESS
9	2	608	BOLT HEX HD 3/8-16 X 2 1/4	59	1	136	SHAFT SLEEVE PLASTIC LARGE
10	1	609	BOLT HEX HD 3/8-16 X 2 3/4	60	1	434	IMPELLER TEE KEY - SQUARE
11	1	610	BOLT HEX HD 3/8-16 X 3	60	1	1706	IMPELLER TEE KEY - 1/2 ROUND
12	1	607	BOLT HEX HD 3/8-16 X 1 1/2	61	8	121	SHIM WASHERS
		1610.01	VOLUTE WITH GATE AQ	62	1	781	NUT KEEPER LARGE 2 PER BAG
13	1	1609.01	VOLUTE WITH EXHAUST TUBE AQ	63	1	122.1	SHAFT NUT 3/4-16 BRASS
14	1	1128	EXHAUST TUBE ASSY LARGE 2 1/2			1603.01	INTAKE ASSY FLANGED WITH GRILL BAR & LINER
15	1	845	CLIP EXHAUST TUBE 1 3/8	64	1	1605	LINER FLANGED 7 5/8
16	2	621	NYLOC 10-32	65	1	1602.01	INTAKE PAINTED ONLY 7 5/8
19	1	553.2	BALL END 1/4X10-32 CABLE	66	2	1667	GRILL ROD
20	1	975	LUBE HOSE ASSY	67	10	1622	GRILL BAR X-LARGE
21	1	539	ZIRC FITTING 1/4-28	68	6	1319	STUD - INTAKE LARGE
22	1	550	GREASE GUN	69	6	625	NYLOC 5/16-18
23	1	552	GREASE 10 OZ TUBE NO. 630-AA			171.1	BRACKET ASSY AQ, AW W/CLAMP & HARDWARE
24	1	1172.01	REVERSE GATE LARGE	70	1	156.1	BRACKET CABLE SUPPORT AQ, AW
25	2	536	NYLINER 1/2 ID X 13/16	71	1	542	SHIM MORSE A035777
26	1	1178	SPRING GATE PIVOT 1/2	72	1	543	CLAMP CHRYS 154317
27	2	823	PIN GATE PIVOT 1/2 LARGE	73	2	561	FL HD SLOTTED 10-24 X 5/8
28	1	1043	SHAFT ROLLER	74	8	640	WASHER SPRING LOCK 5/16
29	2	624	NYLOC 1/4-28	75	2	572	BOLT HEX HD 1/4-20 X 5/8
30	1	1042	ROLLER ASSY	76	2	619	NYLOC 10-24
31	3	635	1/4 WASHER AN960C416	77	1	1719	TORSIONAL DAMPER 3/4
32	1	1034	SHIFT CAM LARGE	78	1	1024	BOLT HEX HD M8-1.25 X 12MM
33	1	623	NYLOC 1/4-20	79	1	1025	WASHER FIBER M8
34	1	573	BOLT HEX HD 1/4-20 X 3/4				
35	1	1037	BUSHING CAM				
36	1	1038	WASHER CAM				MODEL AQ SHO - BALANCE OF
37	2	1039	SHIM - CAM				PARTS SAME AS MODEL AQ
38	1	1036	CAM ECCENTRIC DRILLED				
39	1	574.1	BOLT HEX HD 1/4-20 X 1 PATCH	19	1	2128.1	OFFSET ASSY AQ SHO CAM
40	2	574	BOLT HEX HD 1/4-20 X 3/4 PATCH	44	1	2126	SHAFT ONLY, AQ SHO 20T 31 1/2 LG
41	1	1170	SPRING GATE BUMPER			2127.1	SHAFT ASSY COMPLETE, AQ SHO 20T 5/16
42	1	1497	GATE BUMPER			171.2	BRACKET ASSY AQ SHO
43	1	559.2	FIL HD SLOTTED 10-32 X 1 1/4 PATCH	70	1	156.2	BRACKET CABLE SUPT AQ SHO
44	1	1614	SHAFT ONLY, AQ 20T 30 15/16 LG				
		1615.1	SHAFT ASSY COMPLETE, AQ 20T 5/16				
44	1	1729	SHAFT ONLY, AQX 20T 35 15/16 LG				
		1730.1	SHAFT ASSY COMPLETE, AQX 20T 5/16				
45	1	41	SHAFT BEARING THRUST RING				
46	2	502	BEARING 7305B-UA				
47	1	511	TRUARC 5100-98				
48	1	404	BACKUP WASHER				
49	1	513	TRUARC N5002-250ZD				
50	1	432	UPPER SEAL CARRIER W/SEALS & O RINGS				

SIZE	TORQUE
1/4-20 (M6)	8-9 FT-LBS
5/16-18 (M8)	12 FT-LBS
3/8-16 (M10)	22 FT-LBS

BEARING, SEAL, SNAP & "O" RING KIT
 2 BRG 462.2

MAINTENANCE AND LUBRICATION OUTBOARD JET DRIVE

BEARING LUBRICATION

A grease gun and tube of grease is supplied with your jet drive. We recommend greasing the bearing every 10 hours. Make greasing a part of your cleanup after the days use. Pump in just enough grease to fill the lube hose. Then reconnect the lube hose coupling to the zerk grease fitting.

Every 30-40 hours, pump in extra grease so as to purge any moisture. The texture of the grease coming out gives an indication of conditions inside the bearing housing. A gradual increase in moisture content indicates seal wear. If the grease begins to turn dark, dirty gray, the bearing and seals should be inspected and replaced if necessary. Some discoloration of the grease is normal during the break in period on new sets of seals.

We have selected a water resistant grease of the proper consistency for this application. If you use a substitute grease, be sure it is water resistant and of the same consistency.

IMPELLER

Your jet drive is equipped with a key to protect the unit in the event of a rock jam. This can be reached by removing the water intake, and then the driveshaft nut, similar to a propeller drive. After replacing the key, pull the shaft nut up tight to remove any play between the impeller and shaft. Note the position of the impeller shim washers, and replace them in the same order.

REVERSE GATE MECHANISM

Occasionally check adjustment of the gate shifting linkage. In "forward" the gate should be firmly locked in position. Pull on the gate by hand to verify this. This will prevent wave action from accidentally shifting the gate into reverse as the boat is violently maneuvered

GENERAL

Check all mounting bolts, intake screws, linkage connections, etc., occasionally to be sure they are tight.

SALT WATER USE

Aluminum and stainless steel have been used in the construction of your jet drive. These materials have either been treated or are inherently resistant to corrosion. It is recommended, however, that when not in use the motor be tipped up so that the jet unit is out of the water. When used in salt water more than in fresh water, remove mounting hardware, grease, and reassemble once a year. Failure to do this may result in hardware that is difficult if not impossible to remove at a later date.

GUARANTEE

Due to inflexible government regulation, we do not have a written warranty. We have, however, a good reputation for fairness with our customers which we intend to maintain. If you think you have a warranty situation, regarding material, workmanship, call us before making repairs.

Specialty Manufacturing Company
Outboard Jets
2035 Edison Avenue
San Leandro, CA 94577