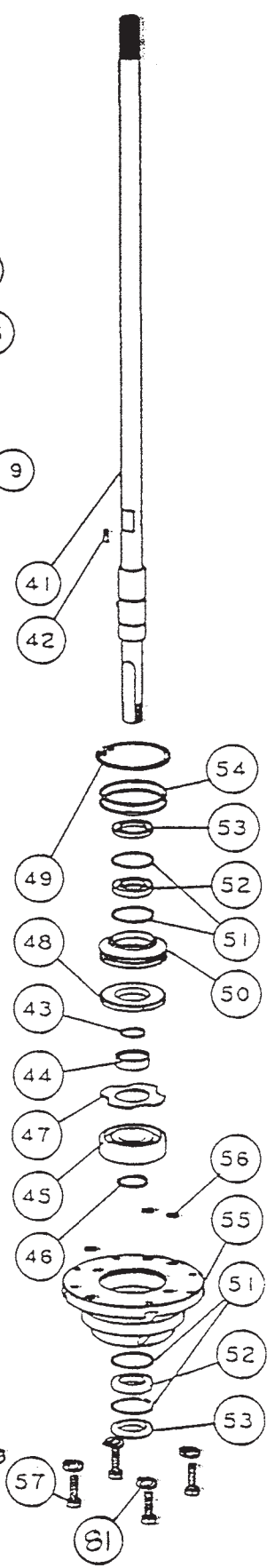
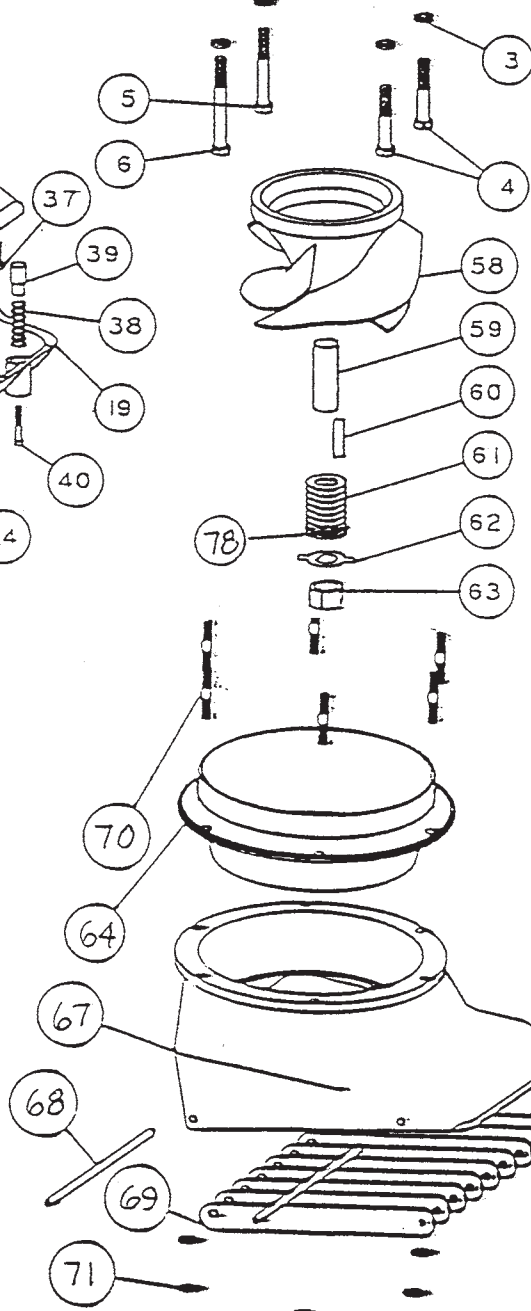
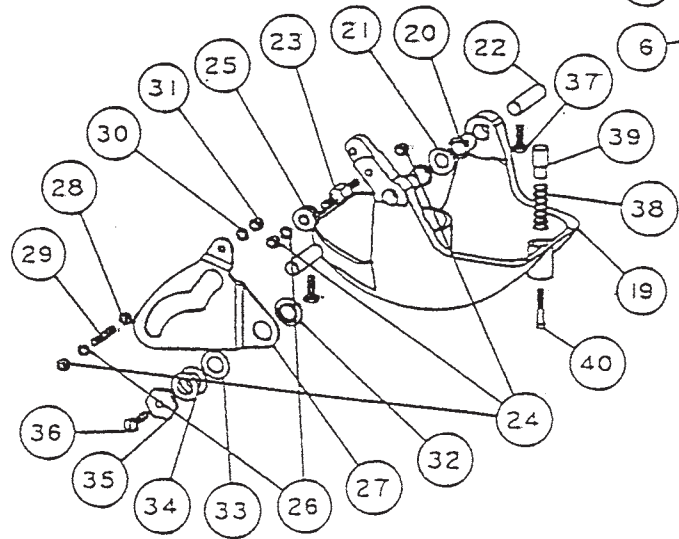
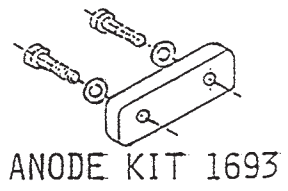


ETEC
L60L04



MODEL L60L04
L60L-89
L60



ANODE KIT 1693

**MODEL L60, L60L-89 JOHNSON / EVINRUDE 3 CYL. 1968-2000
MODEL L60L04 EVINRUDE E-TEC 2 CYL. 2004 TO PRESENT**

REF	QTY	PART NO.	DESCRIPTION	REF	QTY	PART NO.	DESCRIPTION
3	4	636	WASHER SPRING LOCK M10	51	4	617	SPIROLOX RR-150S
4	2	608	BOLT HEX HD 3/8-16 X 2 1/4	52	2	506	SEAL INNER
5	1	609	BOLT HEX HD 3/8-16 X 2 3/4	53	2	507	SEAL OUTER 6324-S
6	1	611	BOLT HEX HD 3/8-16 X 3 1/4	54	2	527	O RING 568-141 3/32X2 5/16X2 1/2
		19000	VOLUTE WITH GATE L	55	1	108.5	BEARING CARRIER W/SEALS & O RINGS 5/16
9	1	190	VOLUTE WITH EXHAUST TUBE L	56	3	521	O RING 568-011 1/16X5/16X7/16
10	1	128	EXHAUST TUBE ASSY LARGE 2 1/2	57	4	602.1	BOLT HEX HD 5/16-18 X 1 PATCH
11	1	846	CLIP EXHAUST TUBE 1	58	1	106.23	IMPELLER 6 7/8 60HP
12	2	621	NYLOC 10-32	59	1	136	SHAFT SLEEVE PLASTIC LARGE
13	1	1023	WASHER FIBER 3/8	60	1	1706	IMPELLER TEE KEY - 1/2 ROUND
14	1	1022	BOLT HEX HD 3/8-16 X 1/2	61	8	121	SHIM WASHER LARGE
15	1	975	LUBE HOSE ASSY	62	1	781	NUTKEEPER LARGE/PKG 2 PER BAG
16	1	539	ZIRC FITTING 1/4-28	63	1	122.1	SHAFT NUT 3/14-16 BRASS
17	1	550	GREASE GUN			1855.04	INTAKE ASSY 6 7/8 FLANGED W/GRILL & LINER
18	1	552	GREASE 10 OZ TUBE NO 630-AA	64	1	1833	LINER 6 7/8 FLANGED
19	1	1172	REVERSE GATE, LARGE	67	1	1332.04	INTAKE PAINTED ONLY EX-LARGE
20	2	536	NYLINER 1/2 1D X 13/16	68	2	14	GRILL ROD
21	1	1178	SPRING GATE PIVOT 1/2	69	9	117	GRILL BAR LARGE
22	2	823	PIN GATE PIVOT 1/2 LARGE	70	6	1319	STUD - INTAKE LARGE
23	1	1043	SHAFT ROLLER	71	7	625	NYLOC 5/16-18
24	3	624	NYLOC 1/4-28			170	BRACKET ASSY OMC W/CLIP & HARDWARE
25	1	1042	ROLLER ASSY	72	1	156	BRACKET CABLE SUPPORT
26	2	635	1/4 WASHER AN960C416	73	1	546	CLIP OMC 305736
27	1	1034	SHIFT CAM LARGE	74	2	562	PAN HD SLOTTED 10-32 X 1/2
28	1	62	NUT HEX JAM 1/4-28	75	2	635	1/4 WASHER AN960C416
29	1	1199	PIVOT - CABLE END	76	2	572	BOLT HEX HD 1/4-20 X 5/8
30	1	638	WASHER SPRING LOCK 1/4	77	2	621	NYLOC 10-32
31	1	622	NUT HEX 1/4-28	78	1	1719	TORSIONAL DAMPER 3/4
32	1	1037	BUSHING CAM	79	1	1752	WEDGE BOLT
33	1	1038	WASHER CAM	80	1	1835	WEDGE STUD
34	2	1039	SHIM - CAM	81	4	640	WASHER SPRING LOCK 5/16
35	1	1036	CAM ECCENTRIC DRILLED	82	2	1858	PIN, DOWEL ETEC
36	1	574.1	BOLT HEX HD 1/4-20 X 1 PATCH				
37	2	574	BOLT HEX HD 1/4-20 X 3/4 PATCH				
38	1	1170	SPRING GATE BUMPER				
39	1	1497	GATE BUMPER				
40	1	559.2	FIL HD SLOTTED 10-32 X 1 1/4 PATCH				
		196.1	SHAFT ASSY COMPLETE, L60S, 4T 5/16				
41	1	178	SHAFT ONLY, L60S, 4T 24 3/16 LG				
		197.1	SHAFT ASSY COMPLETE, L60L, 4T 5/16				
41	1	195	SHAFT ONLY, L60L, 4T 29 3/16 LG				
		1121.1	SHAFT ASSY COMPLETE, L60L-89, 17T 5/16				
41	1	1120	SHAFT ONLY, L60L-89, 17T 29 3/8 LG				
		1838	SHAFT ASSY COMPLETE, L60L04, 17T 5/16				
41	1	1837	SHAFT ONLY, L60L04, 17T 29 9/16 LG				
42	1	631	DOWEL PIN 3/16 X 1/2 WHERE USED				
43	1	41	SHAFT BEARING THRUST RING				
44	1	467	COLLAR BACKFIT 7305				
45	1	502	BEARING 7305B-UA				
46	1	511	TRUARC 5100-98				
47	1	404	THRUST WASHER				
48	1	1534	SPACER				
49	1	513	TRUARC N5002-250ZD				
50	1	432	UPPER SEAL CARRIER W/SEALS & O RINGS				

TILLER STEERING

FOR MODELS L60 & L60L89
SHIFT CABLE ASSY 778, 779 SEE PG. 22

FOR MODEL L60L04 E-TEC
SHIFT CABLE ASSY 1871, SEE PG. 25.3

REMOTE STEERING

NEUTRAL CABLE ASSY 1547 NEEDED STARTING 2010 FOR
E-TEC 40-90HP MOTORS SEE PAGE 26

BEARING, SEAL, SNAP & "O" RING KIT

1 BRG 462.1

SIZE	TORQUE
1/4-20 (M6)	8-9 FT-LBS
5/16-18 (M8)	15 FT-LBS
3/8-16 (M10)	22 FT-LBS