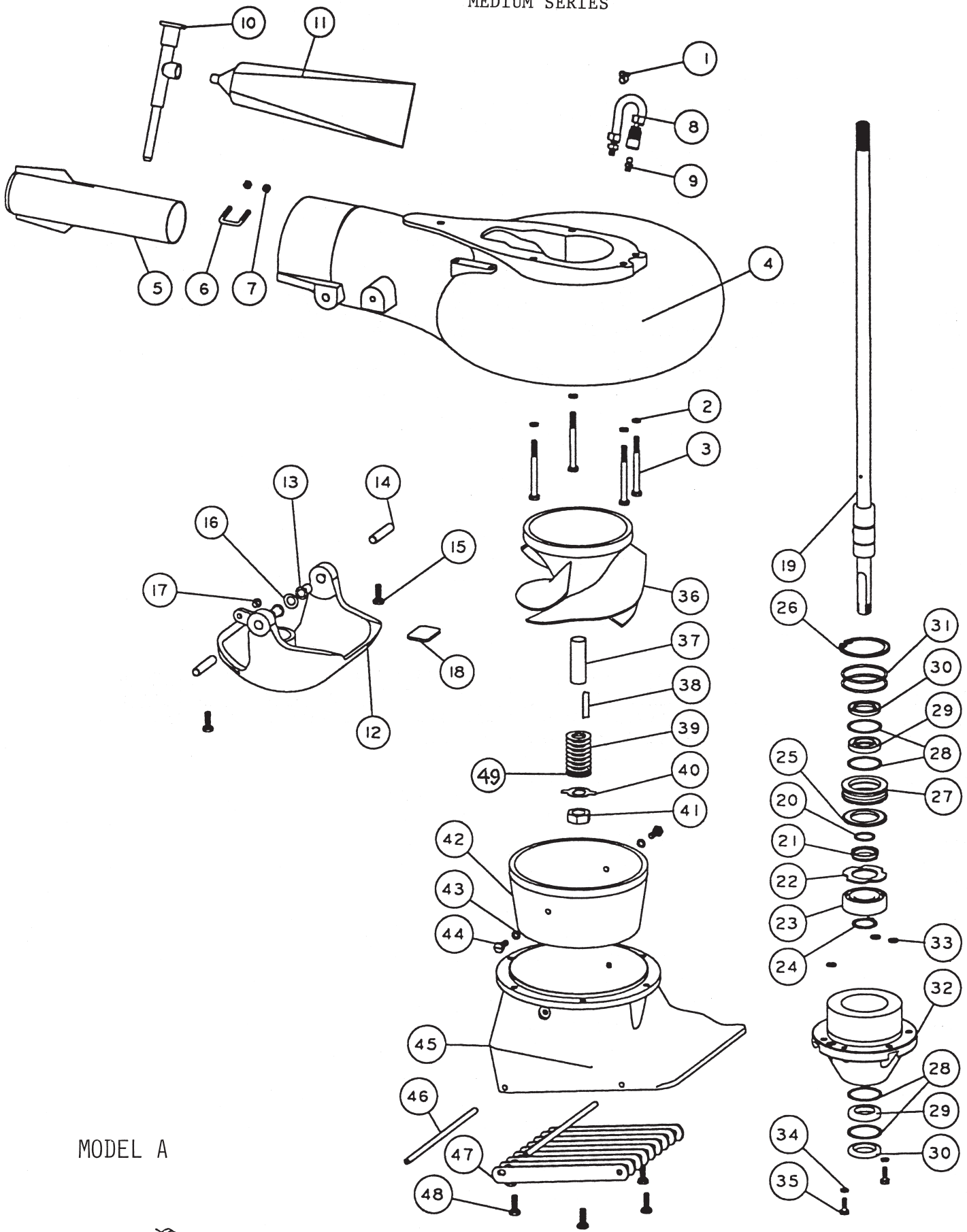
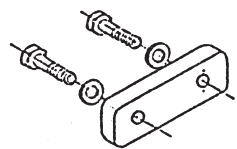


MEDIUM SERIES



MODEL A



ANODE KIT 1693

MODEL A EVINRUDE/JOHNSON

REF	QTY	PART NO	DESCRIPTION	REF	QTY	PART NO	DESCRIPTION
1	1	28	SHIFT SPRING A H O				
2	4	638	WASHER SPRING LOCK 1/4				
3	4	580	BOLT HEX HD 1/4-20 X 2 11/16				
		4941	VOLUTE WITH GATE A				
4	1	49.41	VOLUTE WITH EXHAUST TUBE A				
5	1	80	EXHAUST TUBE ASSY MEDIUM 2				
6	1	846	CLIP EXHAUST TUBE 1				
7	2	621	NYLOC 10-32				
8	1	975	LUBE HOSE ASSY				
9	1	539	ZIRC FITTING 1/4-28				
10	1	550	GREASE GUN				
11	1	552	GREASE 10 OZ TUBE NO.630-AA				
12	1	826	GATE PAINTED ABOU 3/8				
13	2	535	NYLINER 3/8 ID X 11/16				
14	2	822	PIN GATE PIVOT 3/8 MEDIUM				
15	2	574	BOLT HEX HD 1/4-20 X 3/4 PATCH				
16	1	1177	SPRING GATE PIVOT 3/8				
17	1	533	NYLINER 1/4 ID X 1/4				
18	1	82	GATE CUSHION				
		46.41	SHAFT ASSY COMPLETE, A, 14T				
19	1	17.31	SHAFT ONLY, A, 14T 24 3/4 LG				
		336	SHAFT ASSY COMPLETE, A74, 17T				
19	1	322	SHAFT ONLY, A74, 17T 25 1/4 LG				
20	1	41	SHAFT BEARING THRUST RING				
21	1	477	COLLAR BACKFIT 7205				
22	1	1536	THRUST WASHER				
23	1	504	BEARING 7205B-UA				
24	1	511	TRUARC 5100-98				
25	1	1535	SPACER				
26	1	512	TRUARC N5002-212ZD				
27	1	433	UPPER SEAL CARRIER W/SEALS & O RINGS				
28	4	517	SPIROLOX RR-150S				
29	2	506	SEAL INNER				
30	2	507	SEAL OUTER 6324-S				
31	2	526	O RING 568-135 3/32X1 15/16X2 1/8				
32	1	9.41	BEARING CARRIER W/SEALS & O RINGS A				
33	3	521	O RING 568-011 1/16X5/16X7/16				
34	2	637	WASHER SPRING LOCK #10				
35	2	561	FIL HD SLOTTED 10-24 X 5/8				
36	1	8.21	IMPELLER 5 7/8 W/36 SLEEVE 25/35 HP				
36	1	8.23	IMPELLER 6 1/8 W/36 SLEEVE 40 HP				
37	1	36	SHAFT SLEEVE PLASTIC MEDIUM				
* 38	1	782	IMPELLER TEE KEY - Square				
39	8	21	SHIM WASHER MEDIUM				
40	1	805	NUT KEEPER MED/PKG 2 PER BAG				
41	1	22.1	SHAFT NUT 5/8-18 BRASS				
		31.1	INTAKE ASSY 5 7/8 WITH GRILL & LINER				
42	1	93.21	LINER 5 7/8 W/HARDWARE 25/35 HP				
		31.2	INTAKE ASSY 6 1/8 WITH GRILL & LINER				
42	1	93.22	LINER 6 1/8 W/HARDWARE 40 HP				
43	2	638	WASHER SPRING LOCK 1/4				
44	2	572	BOLT HEX HD 1/4-20 X 5/8				
45	1	7	INTAKE PAINTED ONLY				
46	2	14	GRILL ROD				
47	9	16	GRILL BAR MEDIUM				
48	6	573	BOLT HEX HD 1/4-20 X 3/4				
49	1	1718	TORSIONAL DAMPER 5/8				
* 38	1	1705	IMPELLER TEE KEY - 1/2 ROUND				

30. JUL. 97

SIZE

TORQUE

SHIFT ROD ASSY 32 See page 18

1/4-20 (M6) 8-9 FT-LBS

5/16-18 (M8) 12

BEARING, SEAL, SNAP & "O" RING-KIT 803.1

3/8-16 (M10) 22