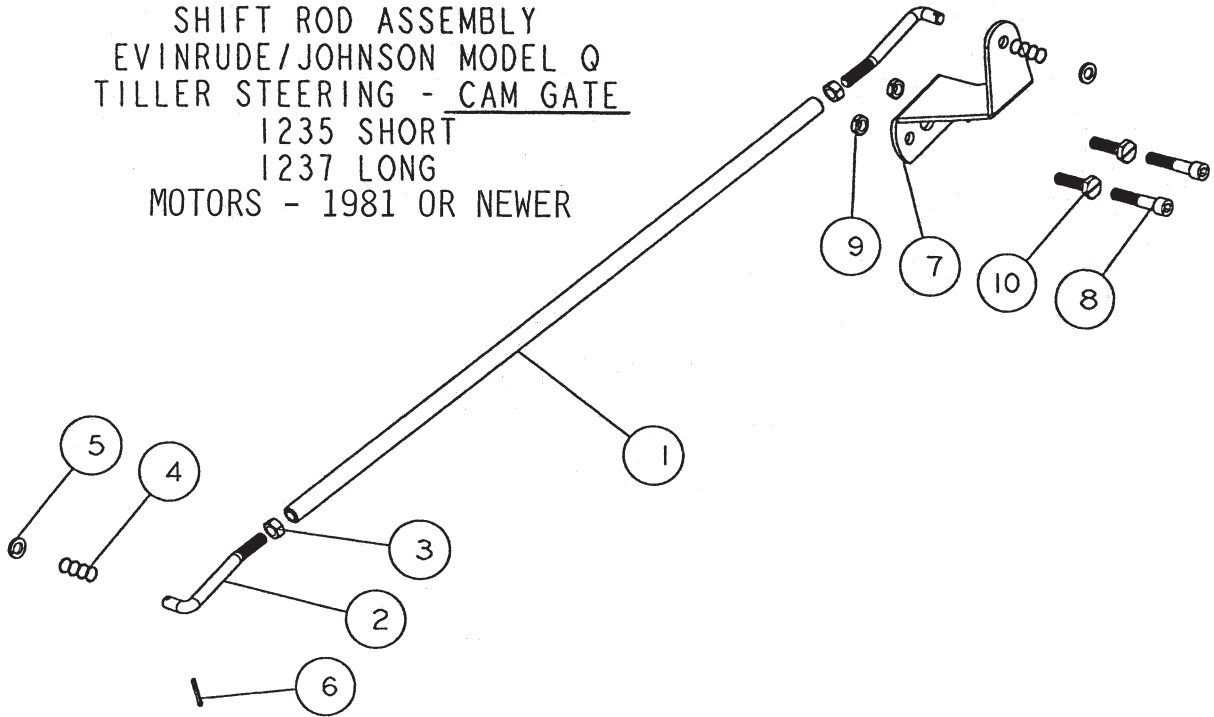


SHIFT ROD ASSEMBLY  
 EVINRUDE/JOHNSON MODEL Q  
 TILLER STEERING - CAM GATE  
 1235 SHORT  
 1237 LONG  
 MOTORS - 1981 OR NEWER



REF	QTY	PART NO	DESCRIPTION
1	1	1234	SHIFT ROD QS CAM 16 1/8 SHORT
1	1	1236	SHIFT ROD QL CAM 21 1/16 LONG
2	2	24	ROD END FORMED
3	2	622	NUT HEX 1/4-28
4	2	1164	SPRING-ROD END
5	2	635	1/4 WASHER AN960C416
6	2	645	COTTER PIN 1/16 X 1/2
7	1	1233	SHIFT LEVER Q CAM
8	2	566	CAP SCR SOC HD 1/4-20X1 1/4 (1989 & PRIOR)
9	2	628.1	NUT SQUARE 1/4-20 (1990 & LATER)
10	2	575	BOLT HEX HD 1/4-20 X 7/8 (1990 & LATER)

2.SEP.97