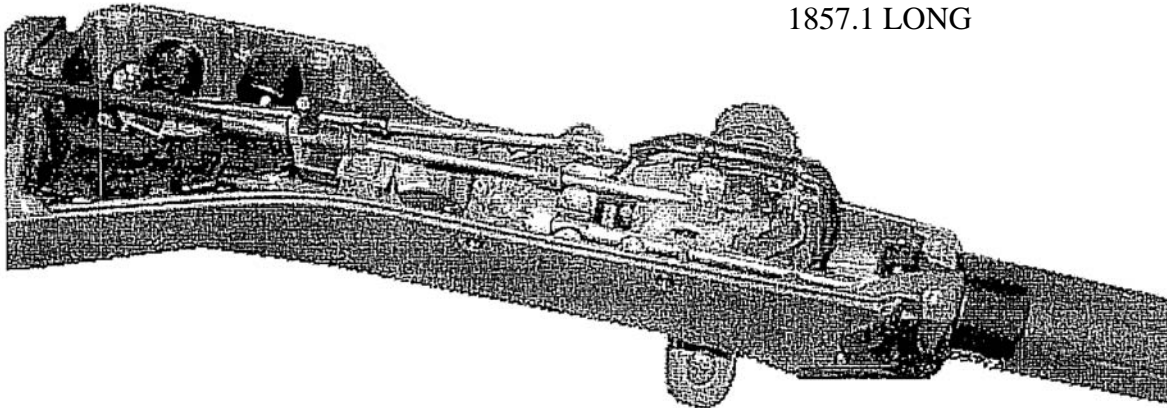


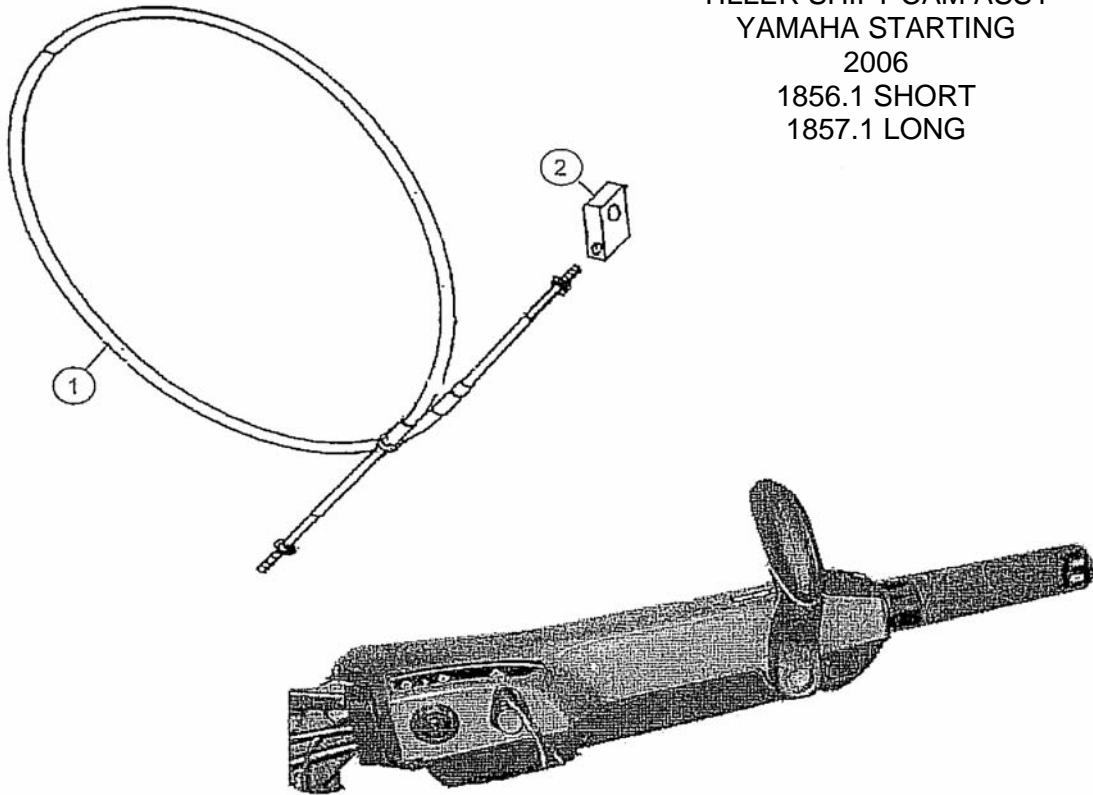
TILLER SHIFT CABLE ASSY
YAMAHA STARTING 2006
1856.1 SHORT
1857.1 LONG



1. Remove the lower plastic cover from the steering handle.
2. Remove the shift cable.
3. Install the 4 1/2 ft or 5 ft standard 33C cable, using the cable end 1851.
4. Attach the lower end of the cable to the jet drive with the ball rod end threaded on the cable as far as it will go and the cable anchor bracket centered and locked. Twist the cable in the U-clamp so that the cable rests against the motor cowling and tighten the clamp screws. The clamp base is slotted to allow alignment for minimum cable bending.
5. Place the shift handle in forward, solidly in the detent. The reverse cam roller must be at the end of the slot in the cam. If these conditions are not met, slide the cable anchor bracket on the jet drive and/or adjust the threaded rod end on the cable.
6. Shift to reverse and back to forward. Do not be concerned if the gate does not reach reverse. There is clearance at this position and water pressure will close the gate.
7. In forward, with the roller at the end of the cam slot, the gate cannot be forcibly rotated toward reverse. Pull on the gate by hand to verify this.
8. Lock the nuts on the cable against the rod ends to complete the adjustment and reassemble the lower cover of the steering arm.

CAUTION: You must return the throttle to idle before shifting.

TILLER SHIFT CAM ASSY
 YAMAHA STARTING
 2006
 1856.1 SHORT
 1857.1 LONG



REF	QTY	PART NO.	DESCRIPTION
1	1	547.1	CABLE 4 FT MOR 33C SUPREME SHORT
1	1	547.2	CABLE 5 FT MOR 33C SUPREME LONG
2	1	1851	CABLE END YAMAHA 2006 TILLER