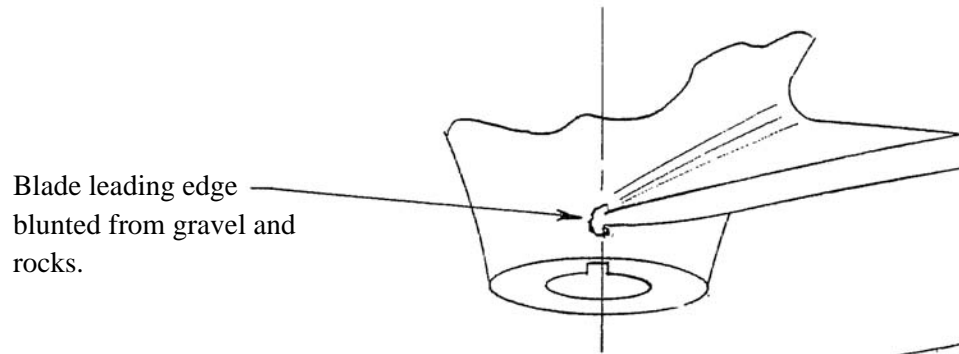


## RESHARPENING IMPELLER BLADE LEADING EDGES

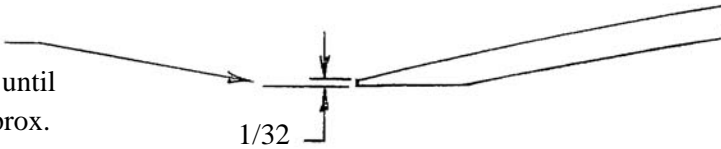
If the impeller blade leading edges are badly blunted and not cutting the water cleanly, it can cause excess motor RPM (slippage) during acceleration and cavitation burns on the impeller blades.



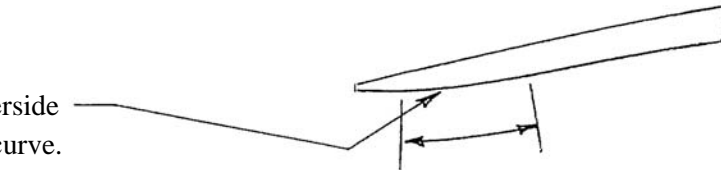
Step 1: File along slope of upper side of blade.



Step 2: File along underside of blade until leading edge is approx. 1/32" thick



Step 3: Blend underside of blade in gentle curve.



CAUTION: Do not bevel leading edge of blade as shown.

