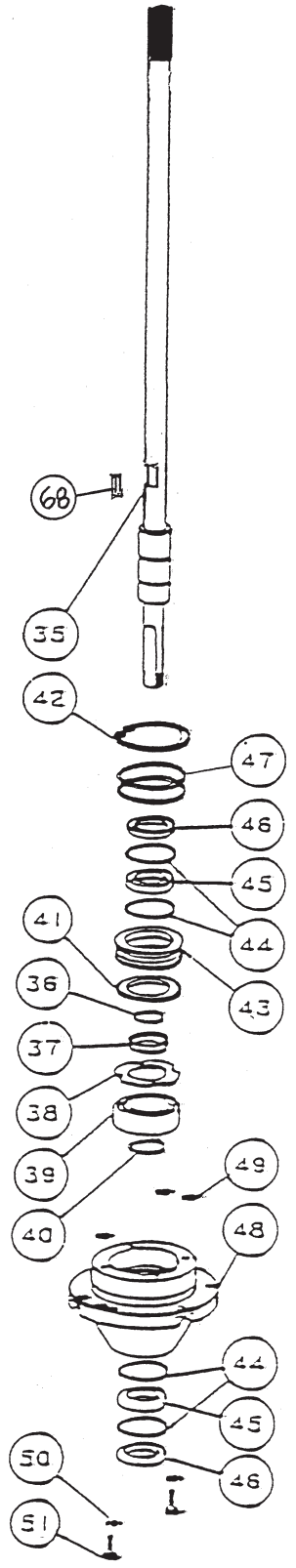
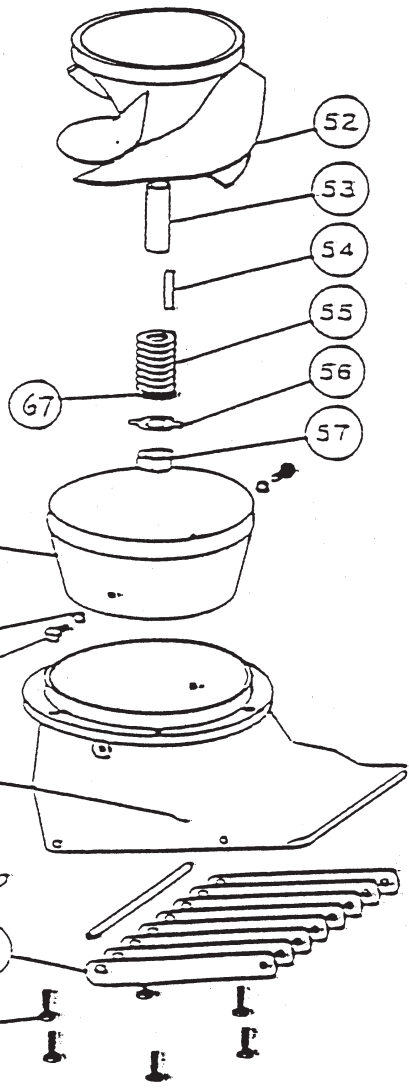
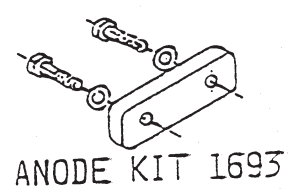


REMOTE CONTROL 71

REMOTE CONTROL 72, 73, 64



MODEL BA



# MODEL BA YAMAHA 25D

2 STROKE 2 CYL 25 HP

REF	QTY	PART NO.	DESCRIPTION	REF	QTY	PART NO.	DESCRIPTION	
1	1	1877	WATER TUBE EXT BA W/ O-RING	50	2	637	WASHER SPRING LOCK #10	
2	1	1878	EXHAUST PLATE BA	51	2	561	FIL HD SLOTTED 10-24 X 5/8	
3	3	635	1/4 WASHER AN960C416	52	1	414	IMPELLER 6-79 W/36.1 SLEEVE 25-30HP	
4	4	585	BOLT HEX HD 1/4-20 X 1 1/4	53	1	36.1	SHAFT SLEEVE PLASTIC MEDIUM	
5	1	1875	ADAPTER PLATE BA	54	1	1705	IMPELLER TEE KEY - 1/2 ROUND	
6	4	640	WASHER SPRING LOCK 5/16	55	8	21	SHIM WASHER MEDIUM	
7	4	595	BOLT HEX HD 5/16-18 X 2	56	1	805	NUTKEEPER MED/PKG 2 PER BAG	
8	1	606	BOLT HEX HD 3/8-16 X 1 1/4	57	1	22.1	SHAFT NUT 5/8-18 BRASS	
		1882	RECOUP GATE BA YAMAHA			1	224.2	INTAKE ASSY 6 WITH GRILL & LINER
9	1	1881	RECOUP TUBE BA YAMAHA	58	1	855	LINER 6 W/HARDWARE	
10	1	221	EXHAUST TUBE SMALL 1 1/2	59	2	638	WASHER SPRING LOCK 1/4	
11	1	847	CLIP EXHAUST TUBE 3/4	60	2	572	BOLT HEX HD 1/4-20 X 5/8	
12	2	621	NYLOC 10-32	61	1	853	INTAKE PAINTED ONLY	
13	1	975	LUBE HOSE ASSY	62	2	216	GRILL ROD SMALL	
14	1	539	ZIRC FITTING 1/4-28	63	8	215	GRILL BAR SMALL	
15	1	550	GREASE GUN	64	7	573	BOLT HEX HD 1/4-20 X 3/4	
16	1	552	GREASE 10 OZ TUBE 630-AA	65	4	636	WASHER SPRING LOCK M10	
17	1	1355	REVERSE GATE SMALL	66	2	572	BOLT HEX HD 1/4-20 X 5/8	
18	2	535	NYLINER 3/8 ID X 11/16	67	1	1718	TORSIONAL DAMPER 5/8	
19	1	1177	SPRING GATE PIVOT 3/8	68	1	1275	KEY, TEE WATER PUMP	
20	2	821	PIN GATE PIVOT 3/8 SMALL	69	1	1876	SHIFT GUIDE ROD	
21	1	1043	SHAFT ROLLER	71	1	171	BRACKET ASSY MORSE W/CLAMP & HARDWARE	
22	2	624	NYLOC 1/4-28	72	1	553.2	BALL END 1/4X10-32 CABLE	
23	1	1042	ROLLER ASSY	73	1	623	NYLOC 1/4-20	
24	4	592	BOLT HEX HD M10-1.25 X 35MM					
25	1	1035	SHIFT CAM MEDIUM					
26	1	1037	BUSHING CAM					
27	1	1038	WASHER CAM					
28	2	1039	SHIM-CAM					
29	1	1036	CAM ECCENTRIC DRILLED					
30	1	574.1	BOLT HEX HD 1/4-20 X 1 PATCH					
31	2	574	BOLT HEX HD 1/4-20 X 3/4 PATCH					
32	1	1170	SPRING GATE BUMPER					
33	1	1169	GATE BUMPER					
34	1	559.2	FIL HD SLOT 10-32X 1 1/4 PATCH					
35	1	1886	SHAFT ONLY, BA, 12T, 23-1/8 LG.					
		1887	SHAFT ASSY COMPLETE, BA, 12T, W/1275 KEY					
35	1	1996	SHAFT ONLY, BAL, 12T, 28-1/8 LG.					
		1997	SHAFT ASSY COMPLETE, BAL, 12T, W/1275 KEY					
36	1	41	SHAFT BEARING THRUST RING					
37	1	477	COLLAR BACKFIT 7205					
38	1	1536	THRUST WASHER					
39	1	504	BEARING 7205B-UA					
40	1	511	TRUARC 5100-98					
41	1	1535	SPACER					
42	1	512	TRUARC N5002-212ZD					
43	1	433	UPPER SEAL CARRIER W/SEALS & O RINGS					
44	4	517	SPIROLOX RR-150S					
45	2	506	SEAL INNER					
46	2	507	SEAL OUTER 6324-S					
47	2	526	O RING 568-135 3/32X1 15/16X2 1/8					
48	1	1884	BEARING CARRIER W/SEALS & O RINGS BA					
49	3	521	O RING 568-011 1/16X5/16X7/16					

SIZE	TORQUE
1/4-20 (M6)	8-9 FT-LBS
5/16-18 (M8)	12 FT-LBS
3/8-16 (M10)	22 FT-LBS

### TILLER STEERING

SHIFT CABLE ASSY 1888, PAGE 17.2

BEARING, SEAL, SNAP & "O" RING KIT 803.1